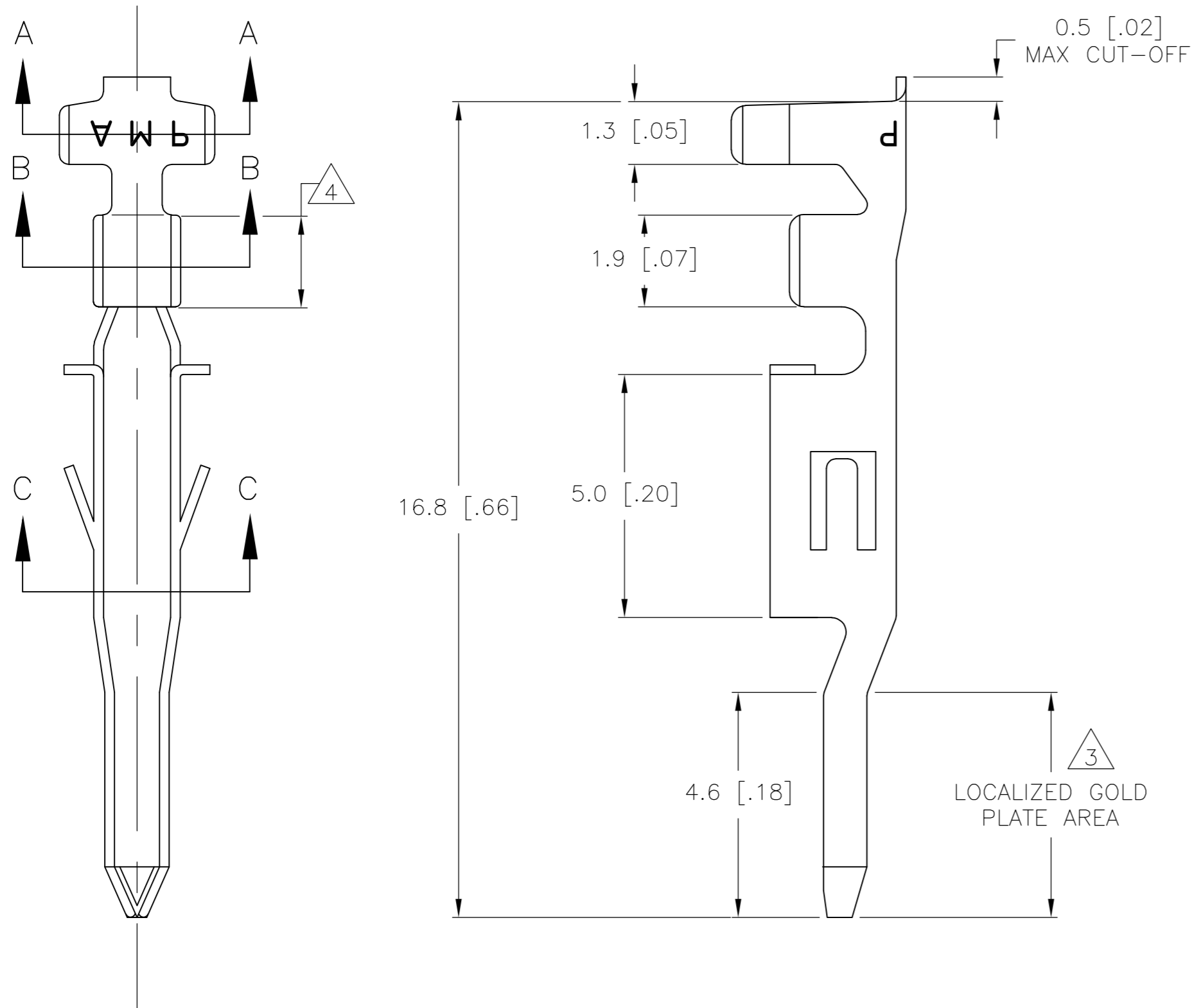
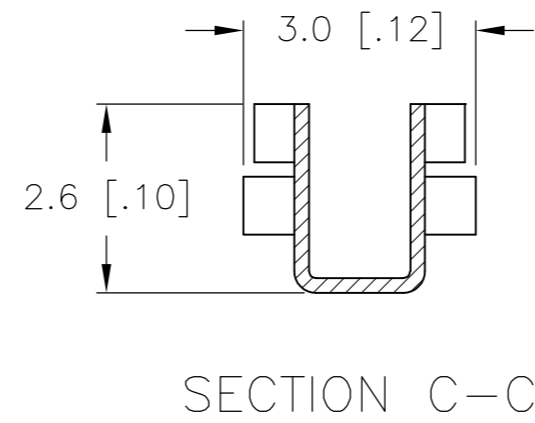
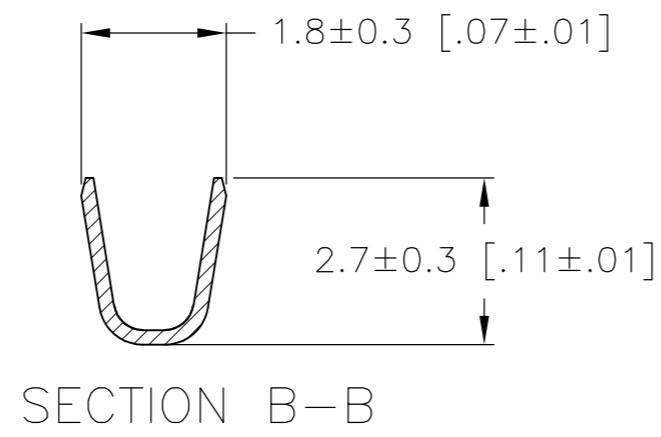
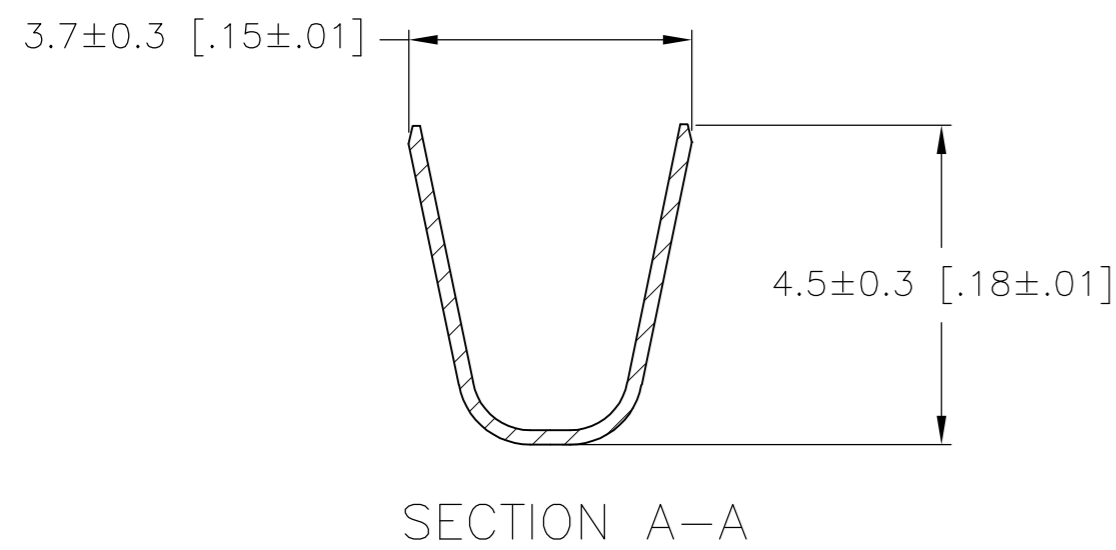


THIS DRAWING IS UNPUBLISHED. RELEASED FOR PUBLICATION
 © COPYRIGHT BY TYCO ELECTRONICS CORPORATION. ALL RIGHTS RESERVED.

LOC	DIST	REVISIONS					
CM	00	P	LTR	DESCRIPTION	DATE	DWN	APVD
		B		REVISED PER ECO-08-006888	24MAR08	HMR	CC



- 1 WIRE RANGE: 0.32–0.82mm² (22–18 AWG).
- 2 INSULATION RANGE: 1.50–2.40 DIA.
- 3 FINISH: 0.76µm MINIMUM GOLD IN LOCALIZED GOLD PLATE AREA OVER 1.27µm MINIMUM NICKEL
- 4 FINISH: 2.54µm MINIMUM TIN IN LOCALIZED TIN PLATE AREA.



3 4	PHOS. BRZ.	1586314-4
PRE-TIN	PHOS. BRZ.	1586314-3
3 4	BRASS	1586314-2
PRE-TIN	BRASS	1586314-1
FINISH:	MATERIAL:	PART NO.

THIS DRAWING IS A CONTROLLED DOCUMENT.		DWN	14-OCT-2003	Tyco Electronics Corporation	
DIMENSIONS: mm [INCHES]		S. HOOVER	14-OCT-2003	Harrisburg, PA 17105-3608	
TOLERANCES UNLESS OTHERWISE SPECIFIED:		CHK	14-OCT-2003	NAME	
0 PLC ±		D. COLEY	14-OCT-2003	TERMINAL LOOSE PIECE, PIN VAL-U-LOK(TM)	
1 PLC ± 0.3 [.01]		APVD	14-OCT-2003	SIZE	CAGE CODE
2 PLC ± 0.15 [.006]		PRODUCT SPEC		A2	00779
3 PLC ± 0.050 [.0020]		APPLICATION SPEC		DRAWING NO	RESTRICTED TO
4 PLC ±				C=1586314	—
ANGLES ±		WEIGHT		SCALE	SHEET
FINISH		CUSTOMER DRAWING		10:1	1 of 1
				REV	B